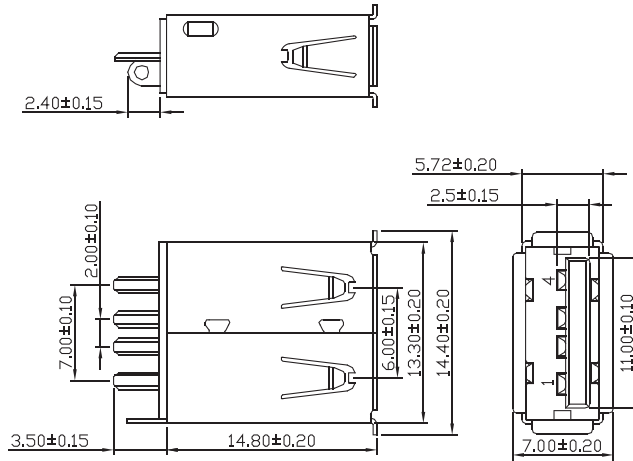


USB Female Solder A Type



No.	Name	Q'ty	Material	Remarks & Thickness	Finish
1	Contact	4	Copper Alloy	T=0.25mm	Gold Flash all over
2	Housing	1	PBT	UL 94-V0	Ivory/Black
3	Shell	1	Copper Alloy	T=0.30mm	Nickel Plated

Part No.: USB-FS-A -L

B:Black W:White